

SANT VALVES PVT. LTD.

An ISO 9001:2000 Certified Company

DRY DIAL REMOVABLE MECHANISM

WOLTMAN WATER METER

SPECIFICATIONS

Dismantable spiral cold or hot water meter is for recording discharge, flowing through its pipe. It can not record the amount of polluted water and corrosive liquid.

Features :

- It is dismantable and its movement can be pulled out easily for repair and exchange without taking the meter from pipe (The recorder can be replaced on condition that water is available.) The recorder is sealed up so that readings are clear.
- Measuring devices are general purpose and can reduce alternate parts.
- Its parts are connected magnetically and work humbly and reliably because of slight obstruction.
- The pressure loss is small. It is durable.

WORKING CONDITIONS

The Temperature of Water is not above 45°C

The Pressure is not higher than 1 Mpa.

Maximun Allowable Error :

To the lower zone of the Transitional flow rate (qt) exclusive : ±5%

From the transitional flow rate (qt) inclusive, to the higher zone of the flow rate (qmax) inclusive : ±2%

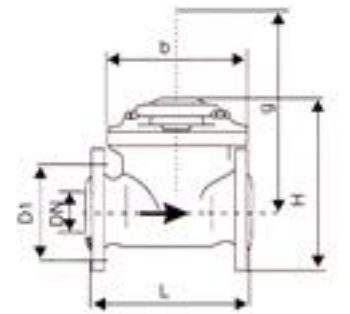
PERFORMANCE

N. Size DN	Class of Measurement	Permanent Flow Rate qp	Transitional Flow Rate qt (m ³ /h)	Minimum Flow Rate qmin	Minimum Reading m ³	Maximun Reading m ³
50	A	15	4.5	1.2	0.01	999999
50	B	15	3.0	0.45	0.01	999999
80	A	40	12	3.2	0.01	999999
80	B	40	8	1.2	0.01	999999
100	A	60	18	4.8	0.01	999999
100	B	60	12	1.8	0.01	999999
150	A	150	45	1.2	0.1	9999999
150	B	150	30	4.5	0.1	9999999
200	A	250	75	2.0	0.1	9999999
200	B	250	50	7.5	0.1	9999999

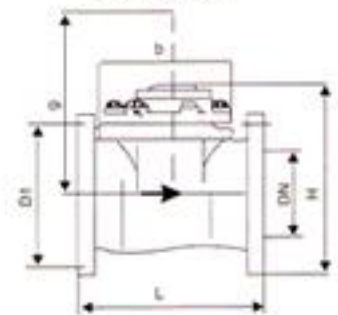
DIMENSIONS

Nominal Size	Length	Width	Height	Height	Weight
DN	L	b	H	g	W
50	200	175	235	360	12
80	225	200	235	360	16
100	250	220	265	360	17
150	300	285	326	420	29
200	350	340	352	420	43
	(mm)	(mm)	(mm)	(mm)	(kg)

SANT



DN50-100



DN150-200

Sant Valves Pvt. Ltd.
G.T.Road Bye Pass,
Jalandhar - 144 012
Punjab. India

Phones : +91-181-5084693/4/5, 2602522, 2603074

Fax : +91-181-2603308

Email : svpl@jla.vsnl.net.in

Web : www.santvalves.com

' For Guaranteed Trouble Free Service '