

SANT VALVES PVT. LTD.

An ISO 9001:2000 Certified Company

FORGED STEEL HORIZONTAL LIFT CHECK VALVE

REDUCED BORE, CLASS 800, SCREWED/SOCKET WELDING ENDS

SPECIFICATIONS

'SANT' Drop Forged Steel Horizontal Lift Check Valve

Reduced Bore

Bolted Bonnet

Stainless Steel Trim

Conforming to BS:5352 Class 800

Screwed Female NPT/Socket Welding Ends

TESTING & CERTIFICATION

Body Test Pressure 207 bar g (3000 Psig) Hyd.

Seat Test Pressure 152 bar g (2200 Psig) Hyd.

Test Certificate in Form III-C as per IBR is furnished with every supply.

MATERIALS

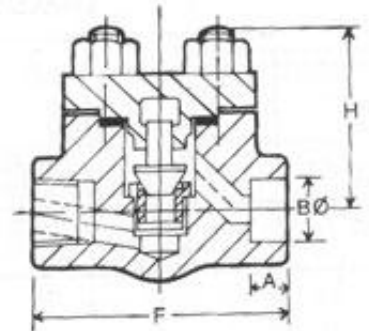
Components	Material	Material Specification
Body, Bonnet	Drop Forged C.Steel	ASTM A 105
Body Seat Ring, Valve Disc	Stainless Steel	AISI 410
Gasket	Spiral Wound SS Asbestos Filled	SS - AISI 304
Studs/Bolts	Alloy Steel	ASTM A193 Gr.B7
Nuts	High Tensile Steel	ASTM A194 Gr.2H

DIMENSIONS (In mm)

Nominal Size	F±1	H	A	B	B
10	80	60	10	17.6	18.0
15	80	60	10	21.8	22.2
20	88	65	13	27.1	27.5
25	100	80	13	33.8	34.2
40	147	105	13	48.6	49.1
50	171	125	16	61.1	61.6
			(Min)	(Min)	(Max)

SANT

FS 3



Application

Water	Oil	Gas	Steam
●	●		●

Sant Valves Pvt. Ltd.
G.T.Road Bye Pass,
Jalandhar - 144 012
Punjab. India

Phones : +91-181-5084693/4/5, 2602522, 2603074

Fax : +91-181-2603308

Email : svpl@jla.vsnl.net.in

Web : www.santvalves.com

' For Guaranteed Trouble Free Service '